

Europool Swimming Pools.



Eur  **pool**



Europool Swimming Pools

Europool is a firm engaged in production, sales, transport and installation of swimming pools and roofings. As the only company in Poland, we offer transportation, installation and full-scale, turnkey construction of pools. We provide comprehensive and fast customer service. We rely upon our experience gained from both Polish and international markets.

Our company offers different variants of pool construction, from less laborious and demanding polyester and liner pools to more expensive and strenuous reinforced concrete pools. The pool construction Europool provides guarantees professionalism and the highest workmanship quality. Every stage of construction is implemented from the beginning. We consult every detail with our Clients, because we care about your satisfaction and contentment. Our full service contains complete instrumentation allowing effective usage of our swimming pools. We ensure favourable and competitive prices.

We offer servicing, to those who own outdoor swimming pools, in order to secure the after-season safety of your pool and the pre-season start-up. Our service guarantees proper functioning of your swimming pool.



Get luxurious in your



Swimming pools

- Polyester 4-23
- Ferroconcrete 24-25
- Water attractions 26-27

Covers

- Solar pool covers 28
- Swimming pool shutters 29

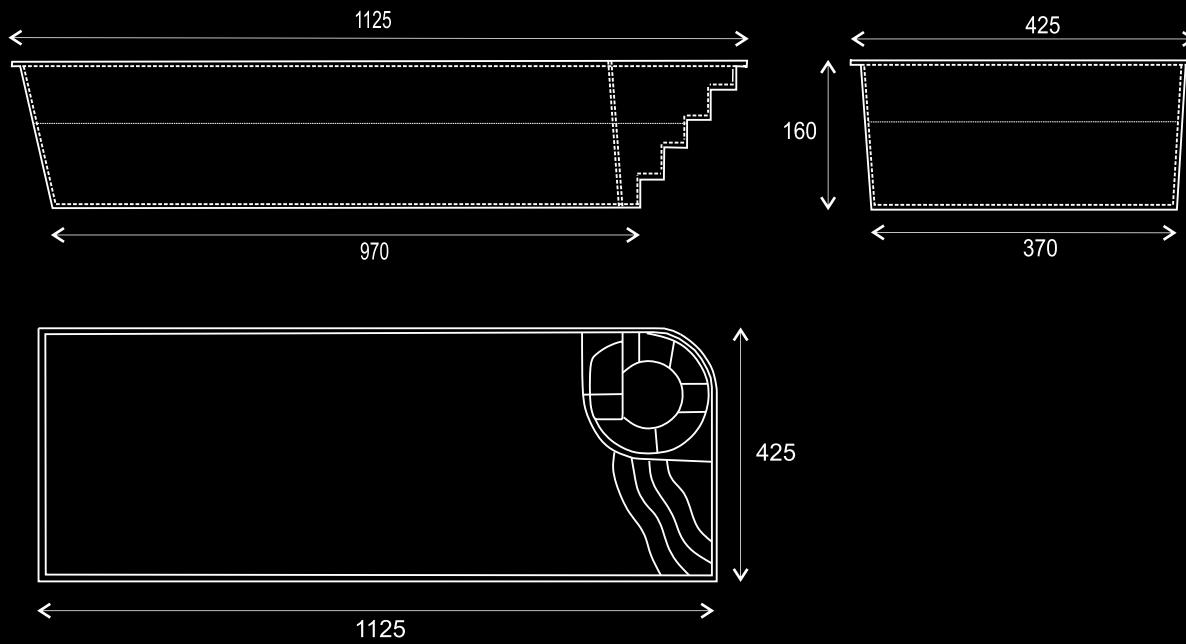
Roofings

- Klasik 30
- Klasik Excellence 31
- Casablanca 32
- Casablanca Infinity 33
- Monaco Standard 34
- Monaco Future 35
- Dallas 36
- Olympic neo 37
- SPA 38-39
- Technology 40-47
- Installation 50-51





Project



Swimming pool 11

"Eleven"

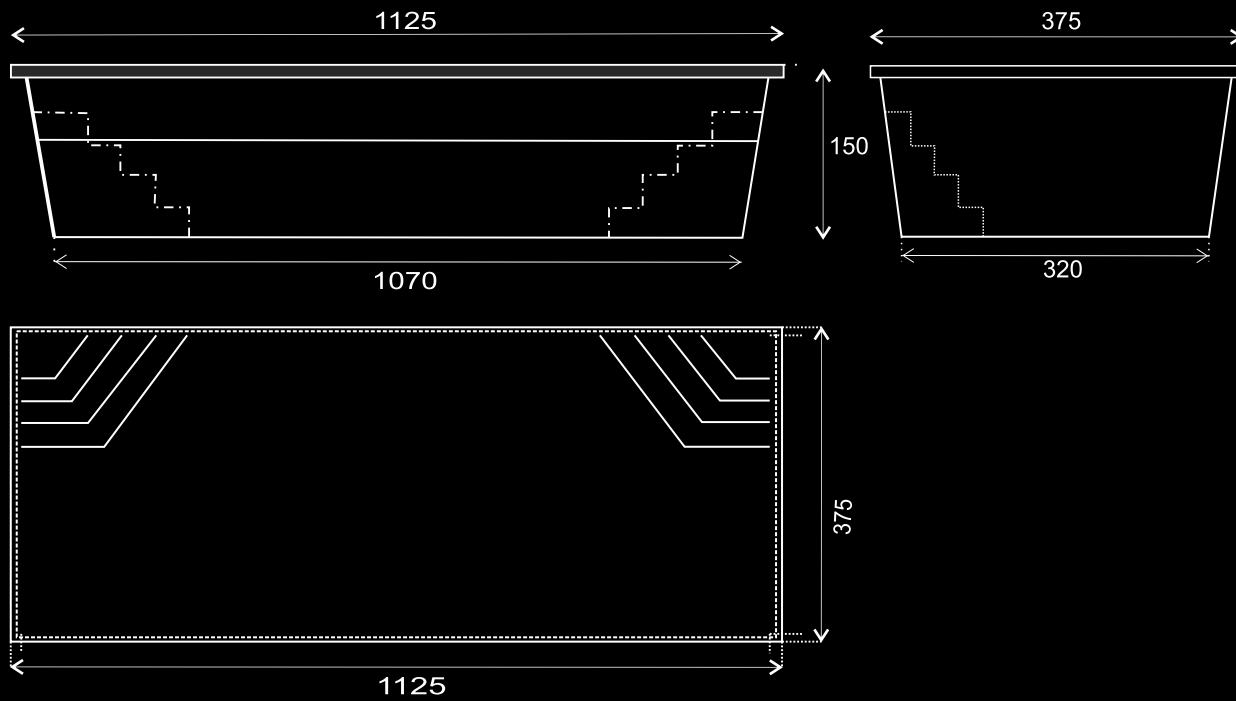


11,25 x 4,25 x 1,60m





Project



Swimming pool 11

"Eleven"

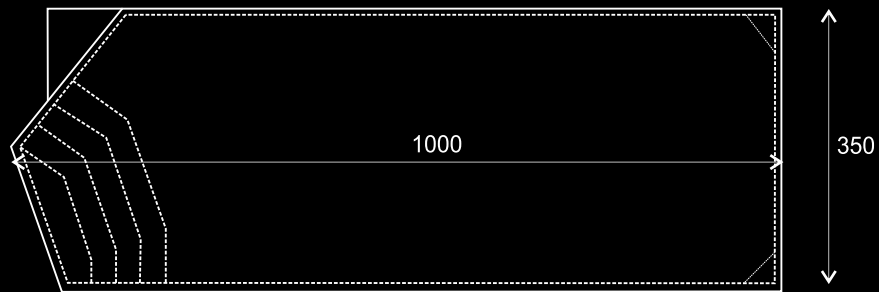
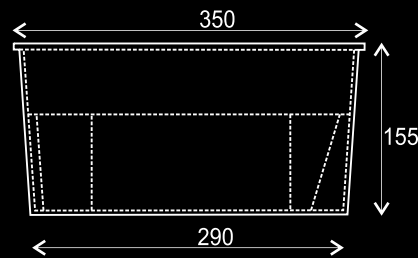
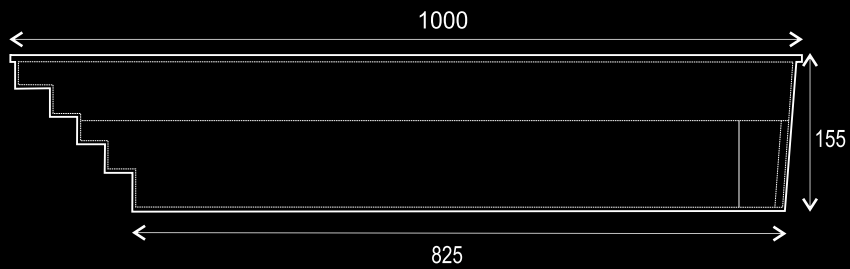


11,25 x 3,75 x 1,50m





Project



Swimming pool 10



"Ten"

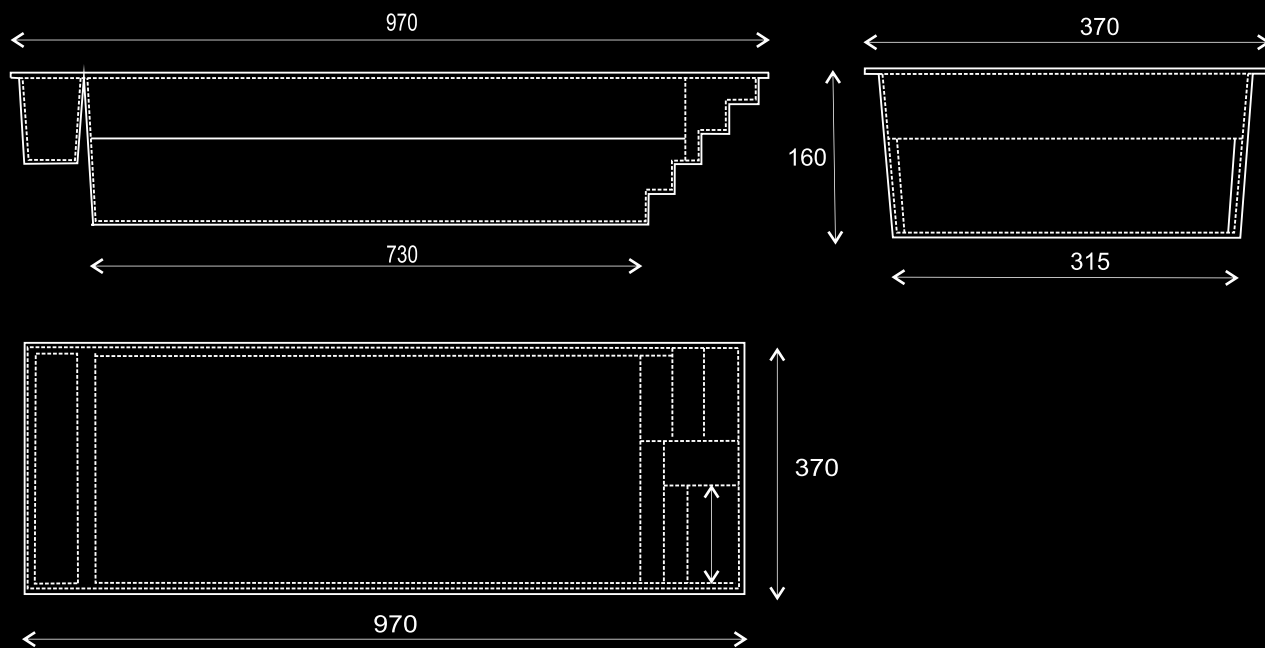


10 x 3,50 x 1,55m





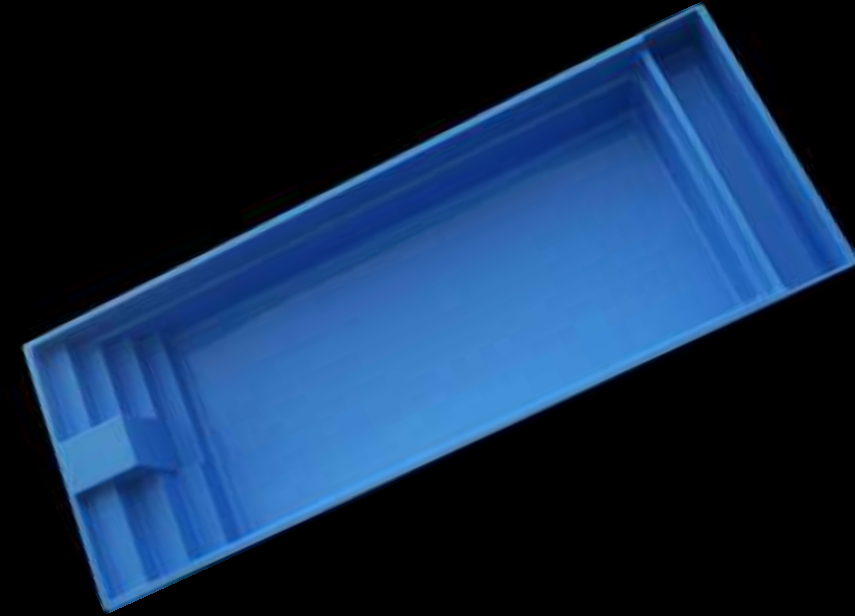
Project



Swimming pool 9



"Nine"

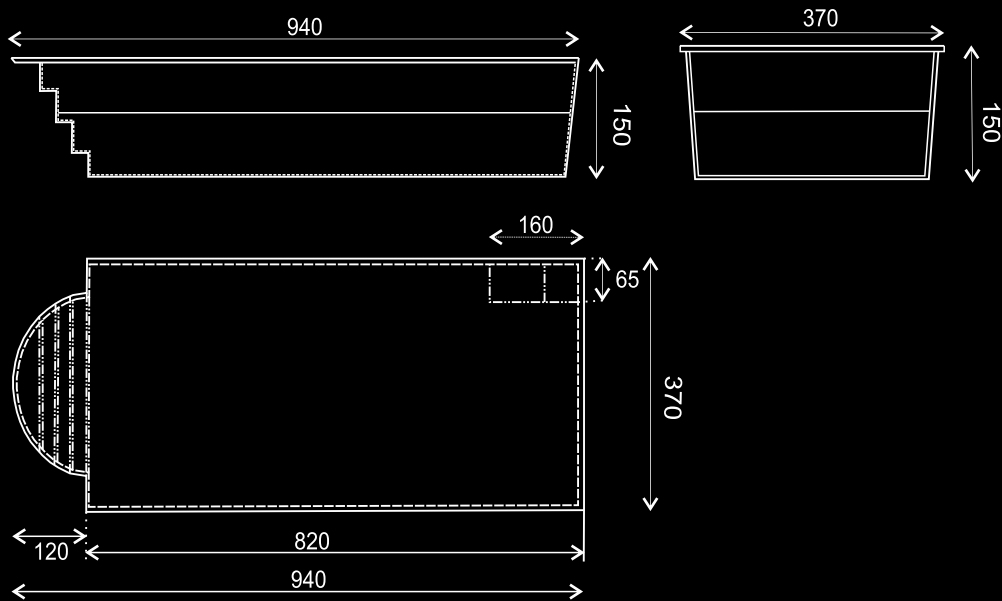


9,70 x 3,70 x 1,60m





Project



Swimming pool 9,40



"Nine"

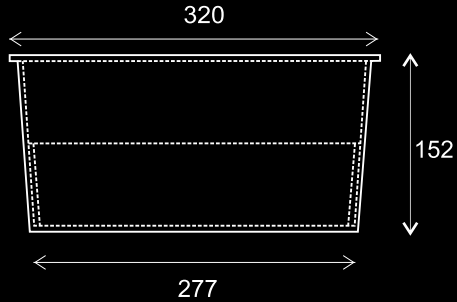
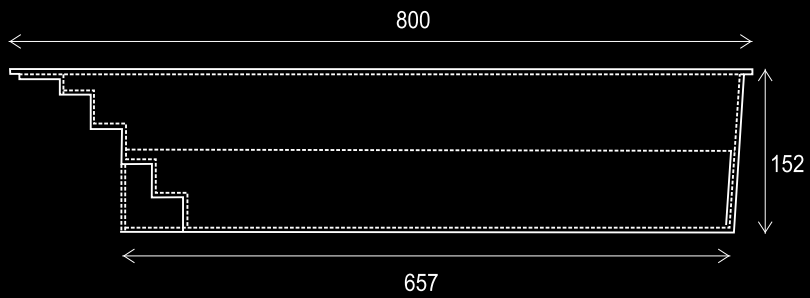


9,40 x 3,70 x 1,50m





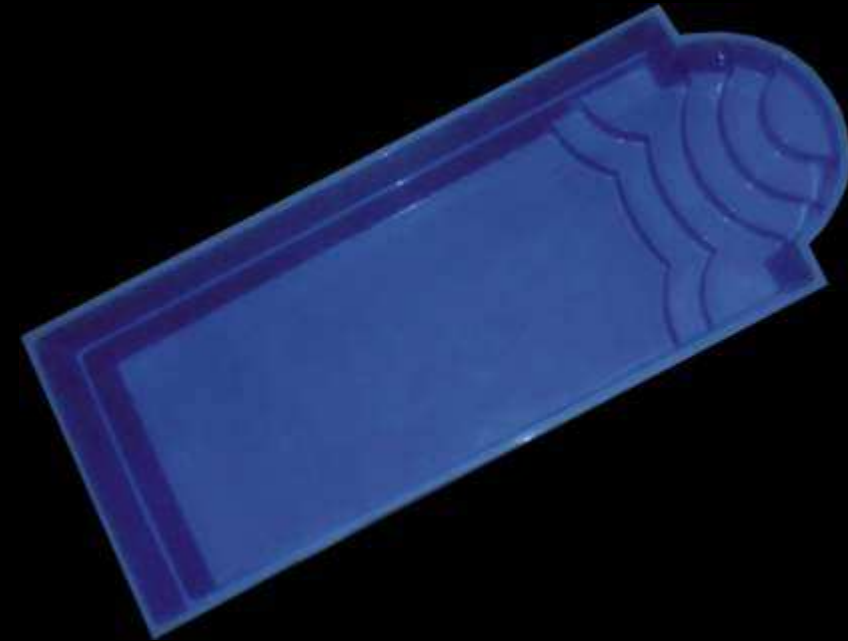
Project



Swimming pool 8



"Eight"

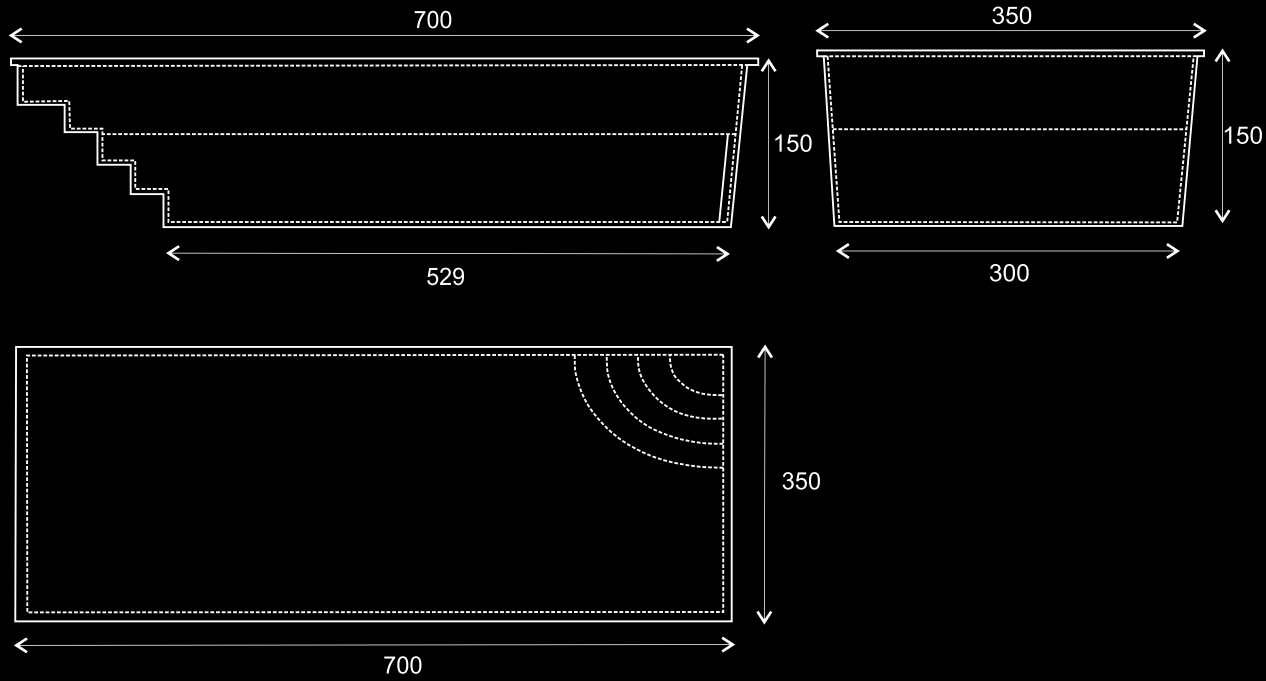


8 x 3,20 x 1,52m





Project



Swimming pool 7



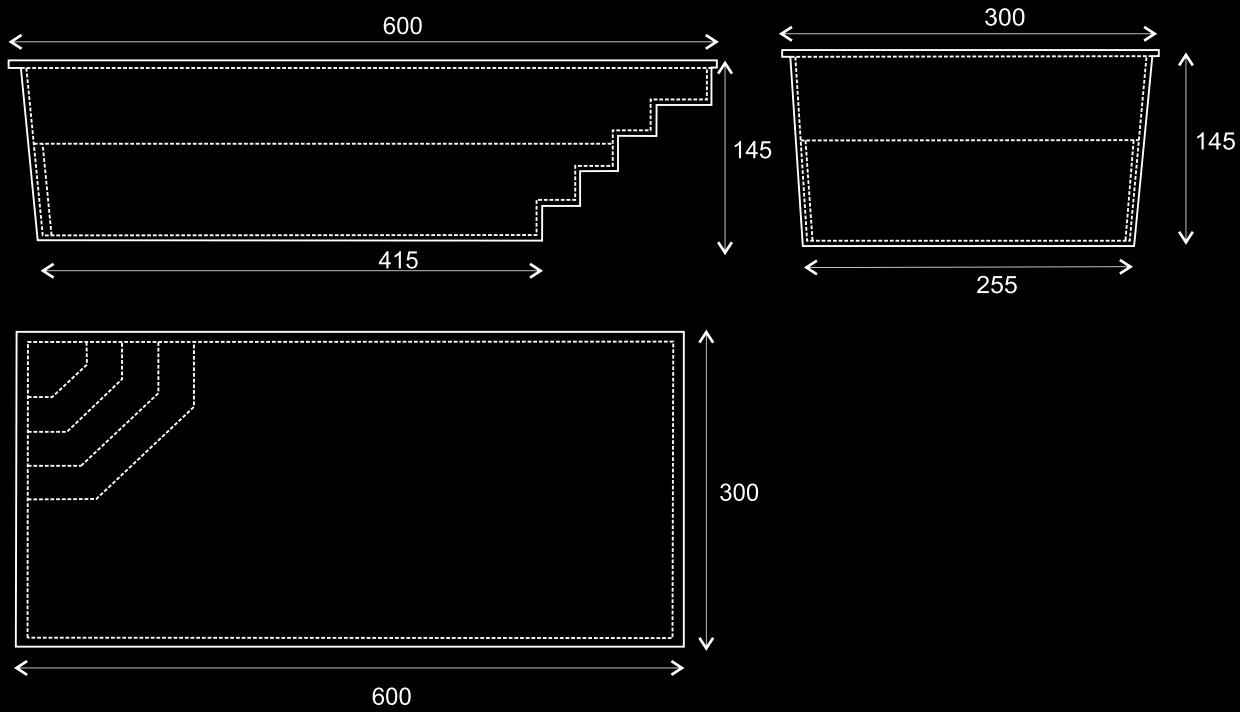
"Seven"



7 x 3,50 x 1,50m

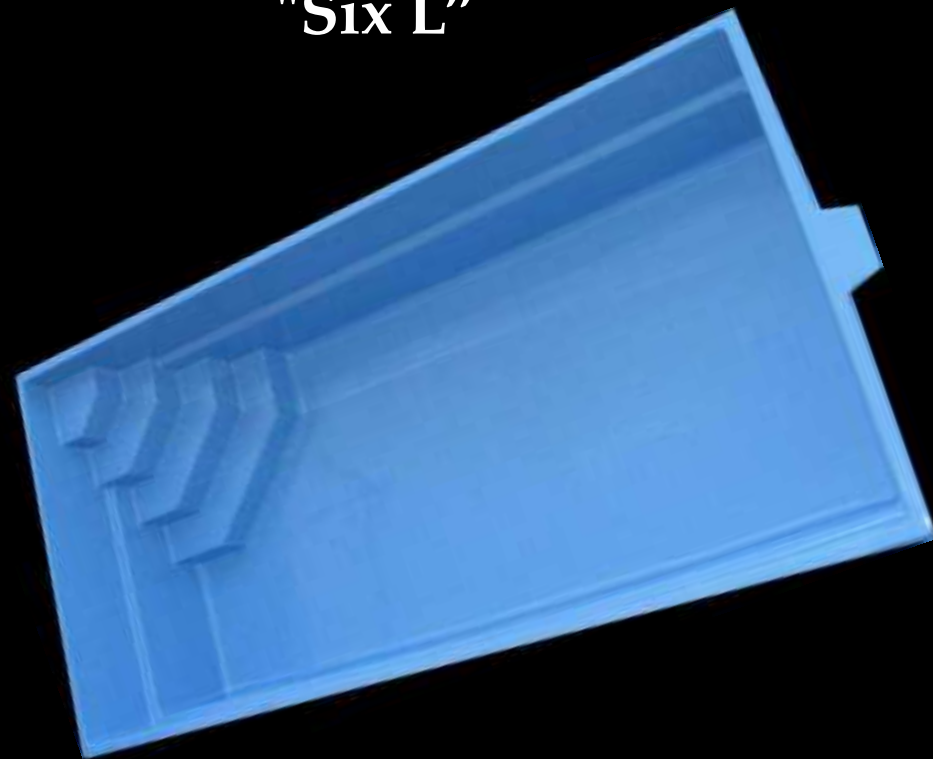


Project



Swimming pool 6

"Six L"

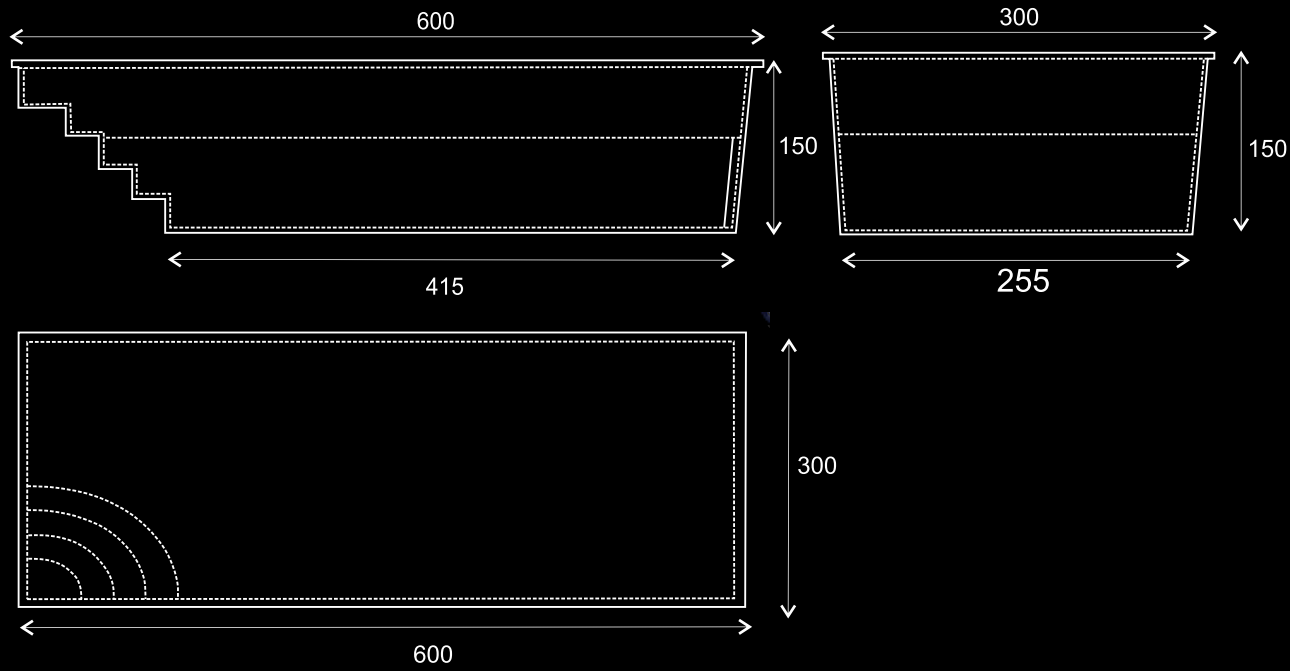


6 x 3 x 1,45mL





Project



Swimming pool 6



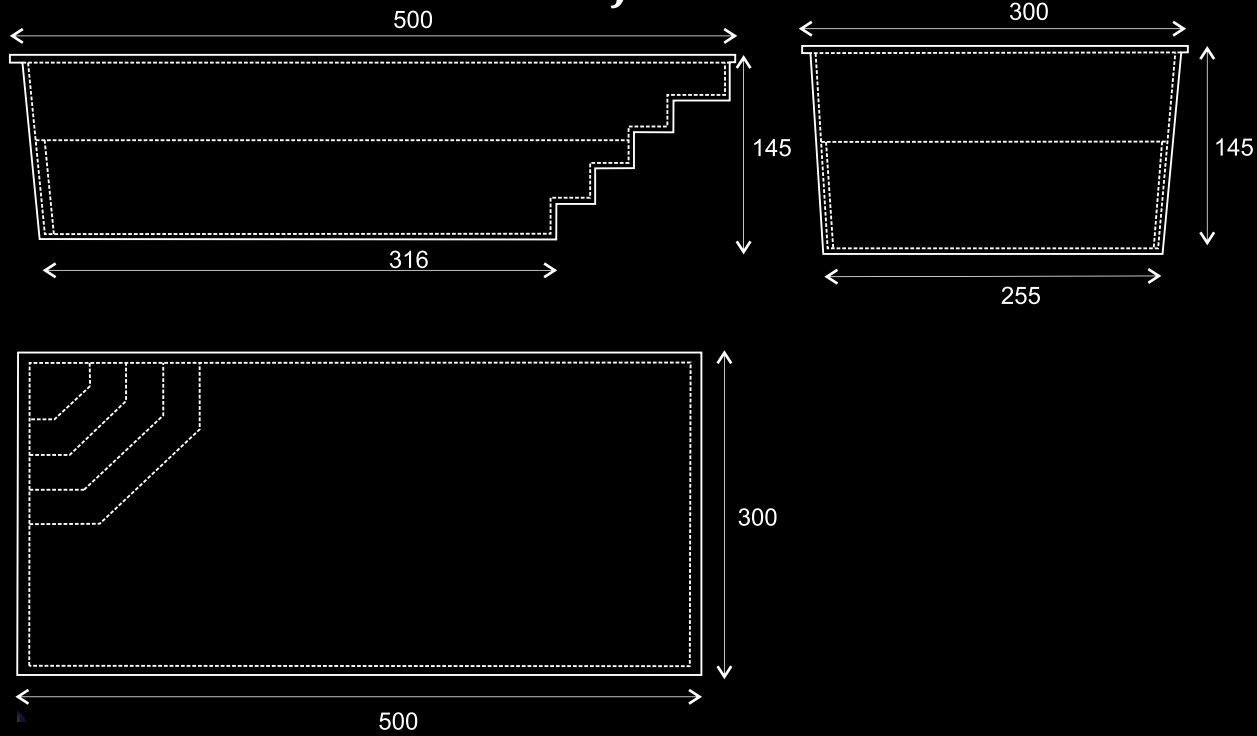
"Six P"



6 x 3 x 1,50mP

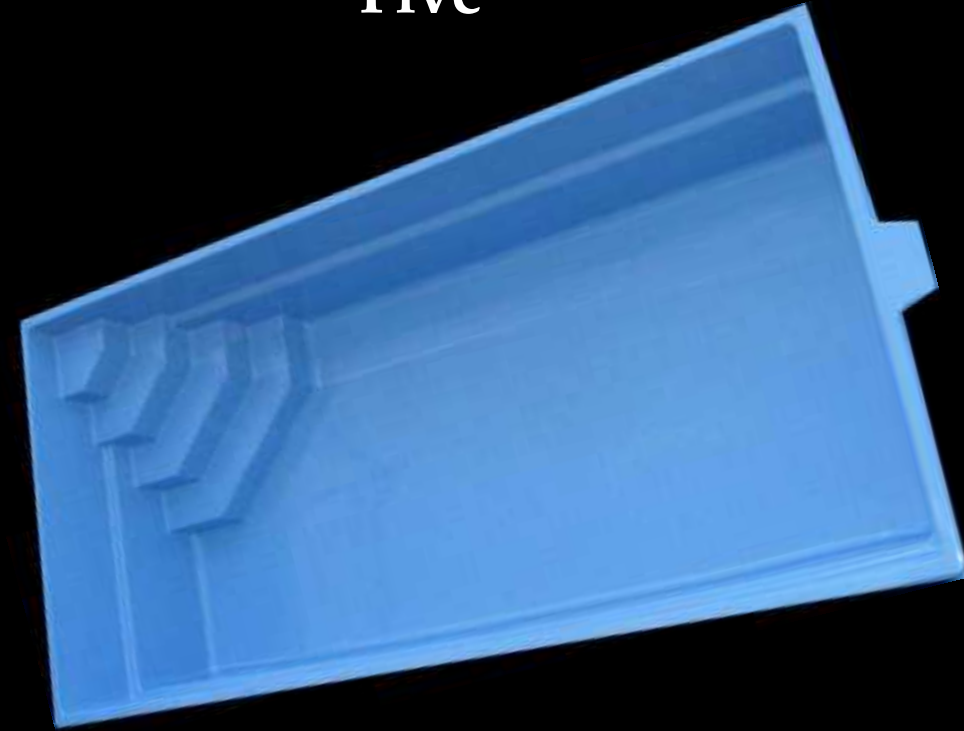


Project



Swimming pool 5

"Five"

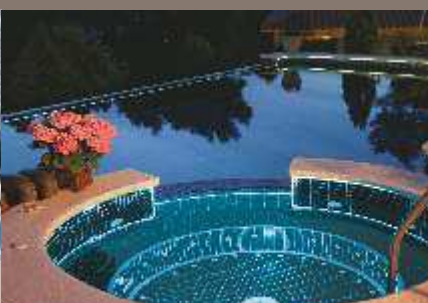


5 x 3 x 1,45m



Ferroconcrete swimming pools





Water attractions

Water attractions

We also offer water attractions which can change a swimming pool into an incredible playground not only for kids.



Paddling pools 5 x 3 x 0,5m







Covers

Solar pool covers

Blue bubble foil, which floats on the water surface, protecting the pool from contamination, heat loss and evaporation of chemicals. This type of foil is placed on a special roller, which enables a one-man installation.



Swimming pool shutters



They provide energy conservation up to 90%. They are recommended for both indoor and outdoor swimming pools. They prevent water from evaporating, which lowers heat loss.





Roofings

Klasik



Roofings

Klasik Excellence





Roofings

Casablanca



Roofings

Casablanca Infinity





Roofings

Monaco Standard



Roofings



Monaco Future





Roofings

Dallas



36



Roofings

Olimpic neo



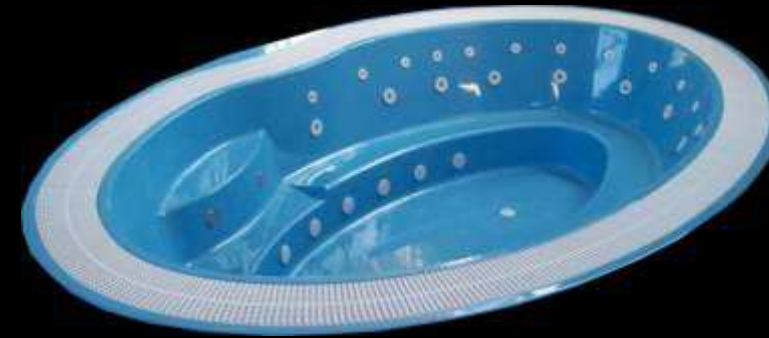


SPA

Rest and relaxation in a warm bath with water massage.

How the spa tubs influence your health?

Immediately after stepping into a spa tub, refreshing beams of warm water stimulate the blood circulation, widening blood vessels. Stress levels and blood pressure decrease significantly. Being in water unburdens your knees and joints by 90% from carrying your own bodyweight, thus allowing the body and muscles to relax. All ailments and cramps soothe. The warmth also reaches collagen tissue, therefore hot baths lessen suffering and facilitate movement in joints inflammation.





TECHNOLOGY



Water filtration technique

In swimming pool technology the most important element is the water filtration system.



Nozzles

Purified water returns from the filter to the pool with a use of nozzles. There are two categories of nozzles: intake and suction nozzles, which can be made from bronze, stainless steel or plastic.





Skimmers with a skimmer basket

They draw pool water to the filter and collect waste from the surface (leaves, insects) into a basket.



Swimming pool lighting

During the designing stage it is important to include lighting. One of the most common mistakes is leaving out underwater lighting.



TECHNOLOGY

STREAM PUMP

The jet stream pump creates a very strong stream of water, which enables intensive swimming, while staying in one place.



Vacuums



Ladders



TECHNOLOGY

Water curtains



Water Treatment



Heat pumps

Heat pumps are the most effective way of heating the pool in the spring and in the autumn. They keep constant temperature of water throughout the bathing season. Once manually set, they keep water temperature until changed or turned off. The filtering pump draws the water through the filter to the heat pump, where, with the use of a compressor and a surface



Heat exchangers

Heat exchangers are an alternative. It is most beneficial, if the house is heated with a gas or oil boiler. The exchangers are plugged into the central heating system.



TECHNOLOGY

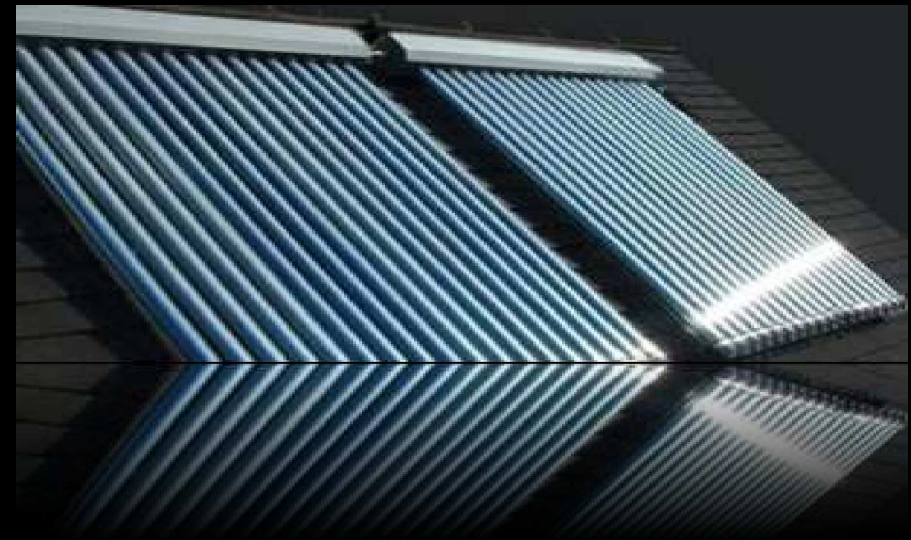
External immersion heater

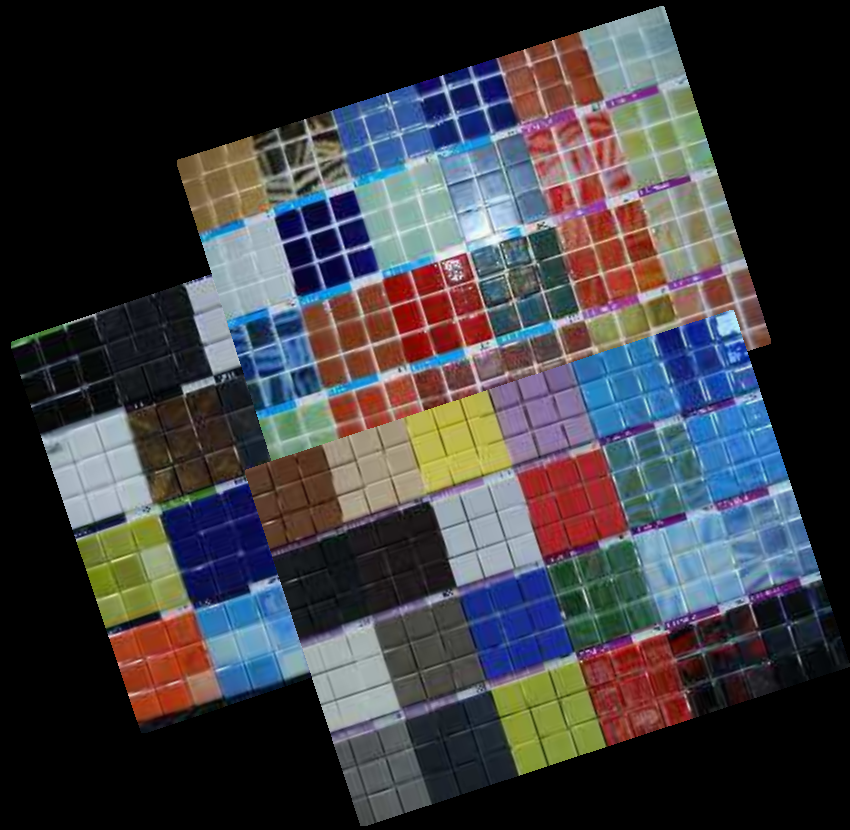
Electric external immersion heaters made from high-grade stainless steel are used to heat water in swimming pools.



Solar collectors

The fourth type of water heating are solar systems. Solar collectors are placed on the most sunlit part of a house roof or on the ground (on a special construction) near the pool, most often on the southern side.









Installation

The swimming pool is manufactured in a workshop, from where a prefabricated pan with the equipment is transported to the client.



50



Installation

The placement and installation of a swimming pool require the following steps:

- the production of a bottom slab from reinforced concrete (B20)
- the placement of a prefabricated pan on the bottom slab
- the installation of necessary equipment and accessories – i.e. nozzles, skimmers, bottom dischargers, counter current units and lamps
- the installation of PVC pipes, which are a part of the filtering system
- the simultaneous placement of a filtering room, where a filtering unit, steering, pumps and other devices are placed
- the concrete (B15) bracing of pan walls, proportional to the amount of water
- the concrete, which is strewn on the pan walls, has to be damp not wet, as concrete pressure (when too amply strewn) can deform the walls
- the strewing of walls has to be proportional to the water in the pool.





POLAND

Arleta Rakowska

88-300 Mogilno

Padniewko 53

tel. +48 523151045

fax. +48 523180571

e-mail: europool@home.pl

www.europool.pl

Servis:

mobile: +48 607649299

mobile: +48 607594410

FRANCE

Marcin Meclewicz

152 Chemin clos de Bourran

12490 Saint Rome de Tarn

tel.: +33 565 611 985

tel.: +33 688 780 091

Mail: marcin_piscine@yahoo.fr

NETHERLANDS

•Fonteyn Spas

Meervelderweg 52

3888 Uddel

Tel.+31 (0)577456040

e-mail: info@fonteynspas.com

DEUTSCH

•Bernd Kienzle

Forststr 14A

01689 Weinbohla

Tel.0162-7222337

Fax 035243/46784

e-mail: boneti666@web.de

www.de.europool.pl



WWW.EUROPOOL.PL